



OREFLOW 
AUSTRALIA PTY LTD

Distributor of SPD Idlers & Frames

OREFLOW

A U S T R A L I A P T Y L T D



Oreflow are the West Australian distributor for the SPD range of conveyor rollers both steel and HDPE carry and return rollers. Also available are rubber disc impact and return rollers. The rollers and frames are all manufactured to Australian standards with some innovative and maintenance saving designs. **All of our rollers and frames are fully interchangeable with Prok with no modifications required. Our rollers are fitted with either with high quality deep groove ball bearings for maximum life.** All of the rollers from 350-1500 are ex stock line items from our Welshpool factory.



Belt widths from 350mm through to 1200mm roller sets are available from our Welshpool facility

Western Australia

Phone: +61-8-9472 0800

Fax: +61-8-9472 0811

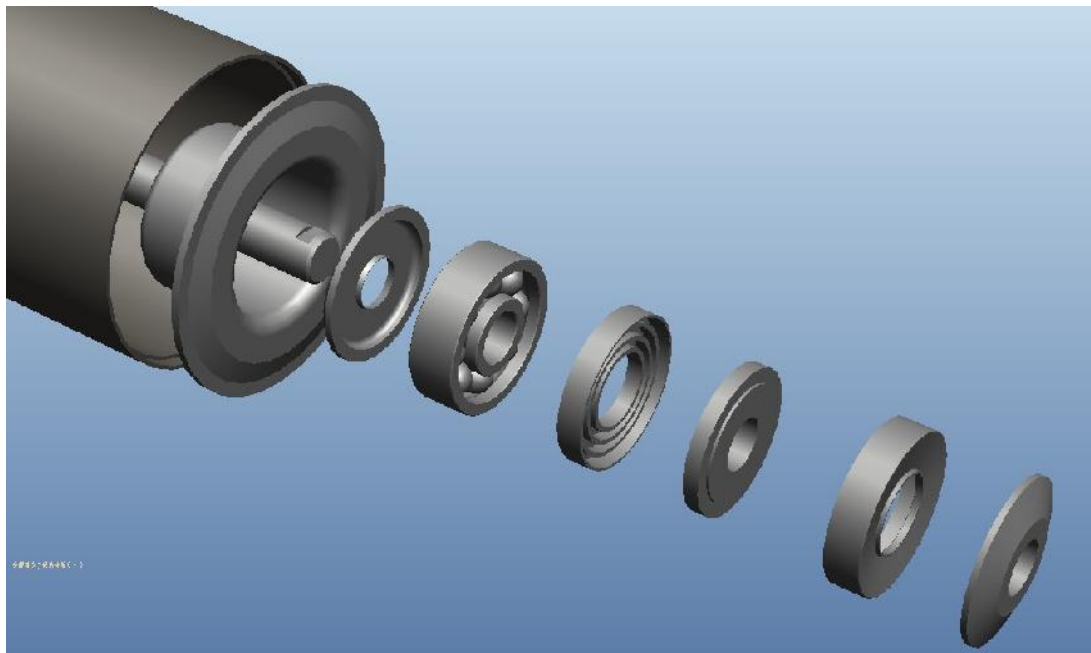
Email: melk@oreflow.com.au

chrisc@oreflow.com.au

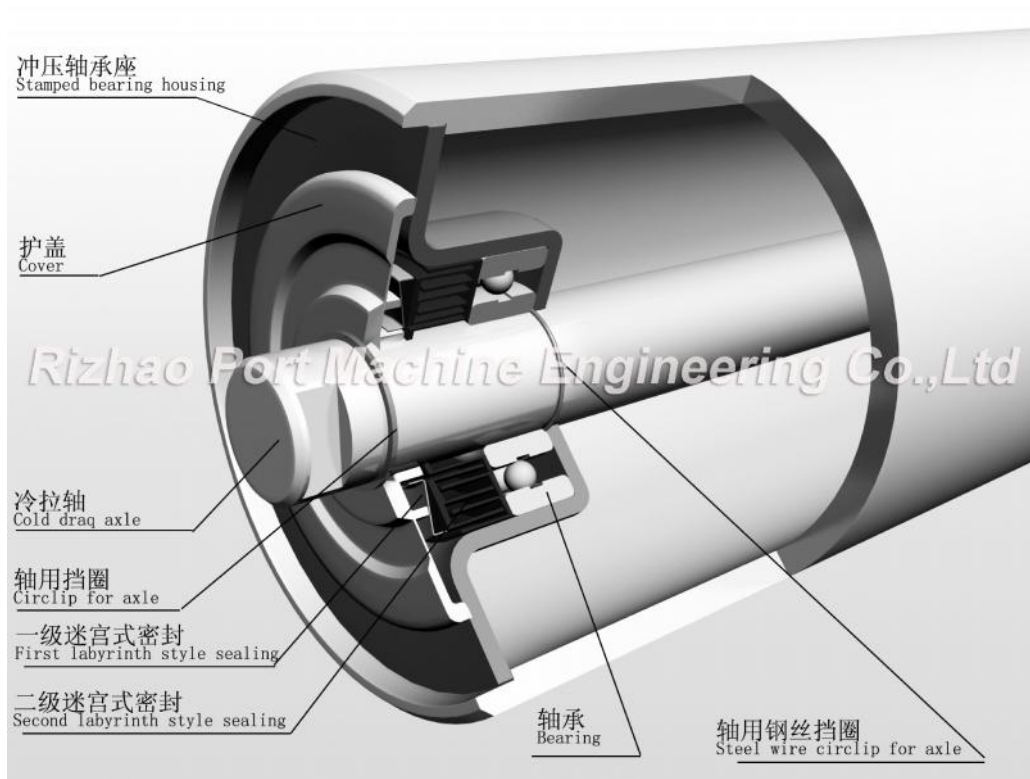
**Head Office & Factory:-
99 Kew Street, Welshpool, WA, 6106**

www.oreflow.com.au

SEALING ARRANGEMENT

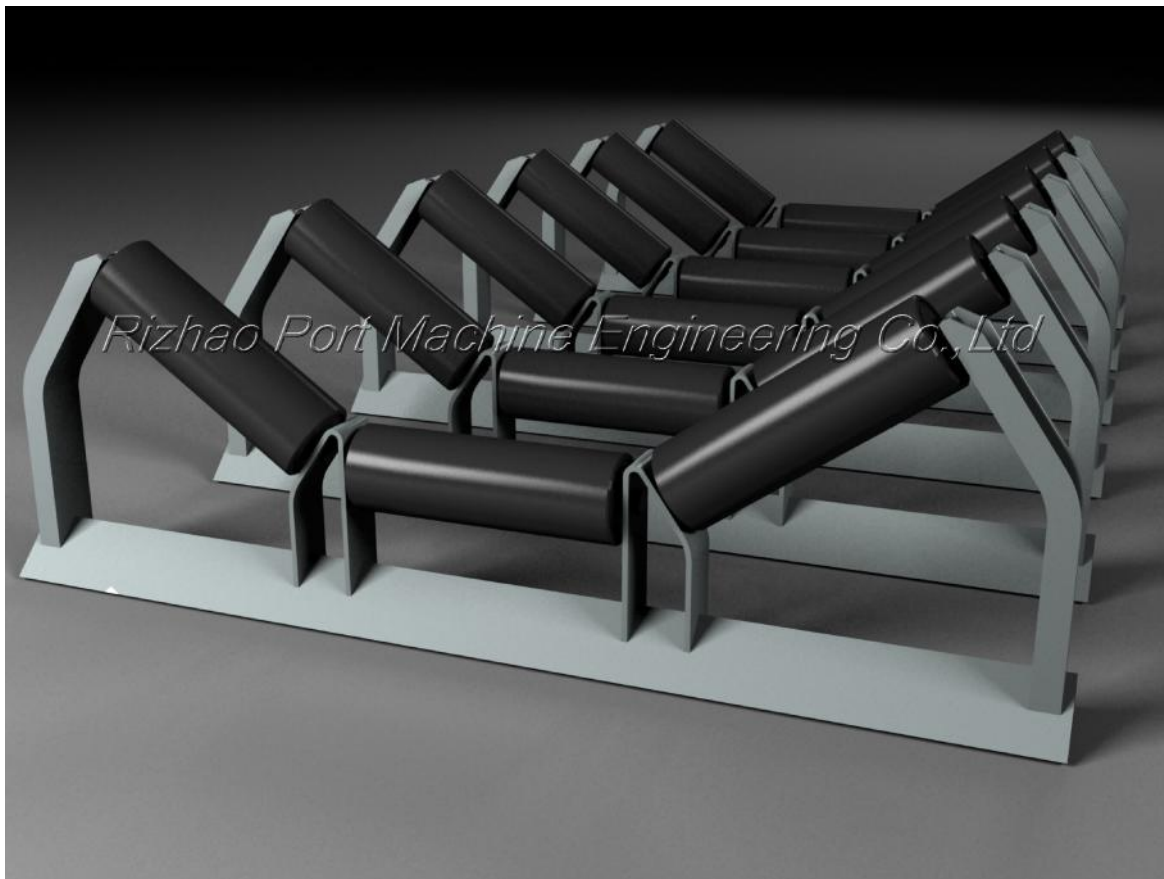


Idlers are fitted with deep groove ball bearings capable of operating in deflective mode and the ability to withstand Dynamic loads

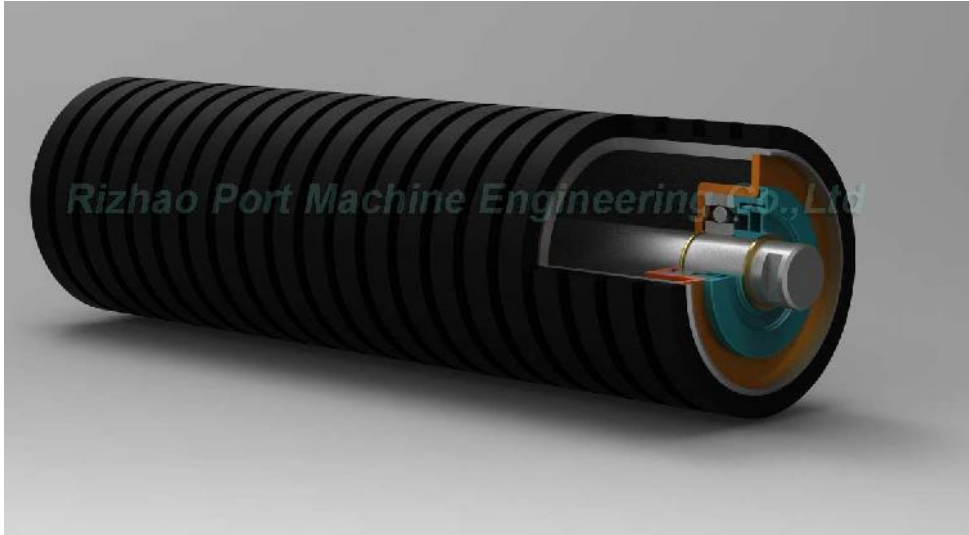


TYPICAL MANUFACTURING TOLERANCES.			
Nominal O.D. of Roll - Steel Shell	+/- 0.3 mm	Roll corner radius:	3.0 mm minimum
Rubber Disc	+/- 0.8 mm	Corner weld penetration:	80% minimum
Thickness of Steel shell:	+/- 0.5 mm	Total Indicator Reading (T.I.R.) Run out max.	
Roll face length:	+/- 1.5 mm	Over steel shell: Up to 750 mm long:	0.50 mm
Center roll height above base line	+/- 2.0 mm	Above 750 mm long:	0.0007 x length
Transverse hole centers:	+/- 2.0 mm	Out of balance: Standard rolls -	0.056 Nm
Longitudinal hole centers:	+/- 2.0 mm	Weighing rolls -	0.014 Nm
Return bracket drop height:	+/- 2.0 mm	Angular deflection at bearing under full load	10 min.
Trough angle:	+/- 1°		

STEEL IDLER & FRAME



IMPACT IDLER



RUBBER DISC RETURN IDLERS



FLAT RETURN IDLERS

