

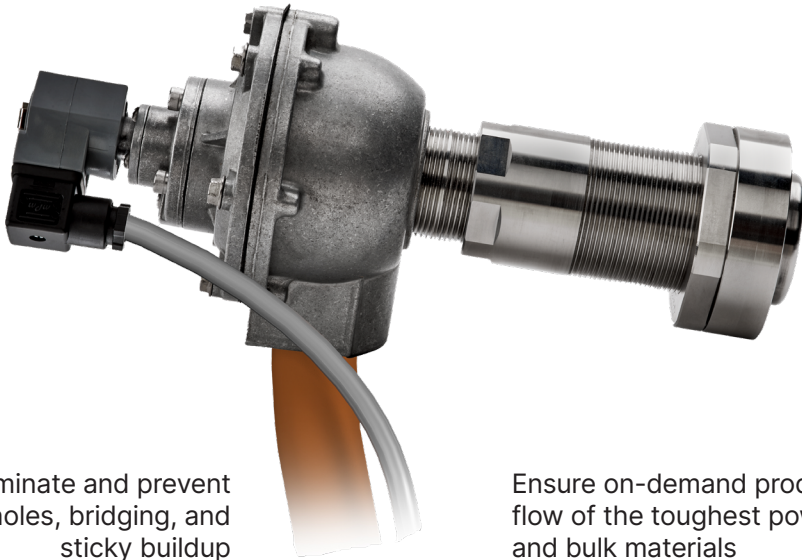


MATERIAL ACTIVATION SYSTEMS

Distributors of AirSweep®



THE PROVEN SOLUTION FOR TOUGH MATERIAL FLOW PROBLEMS



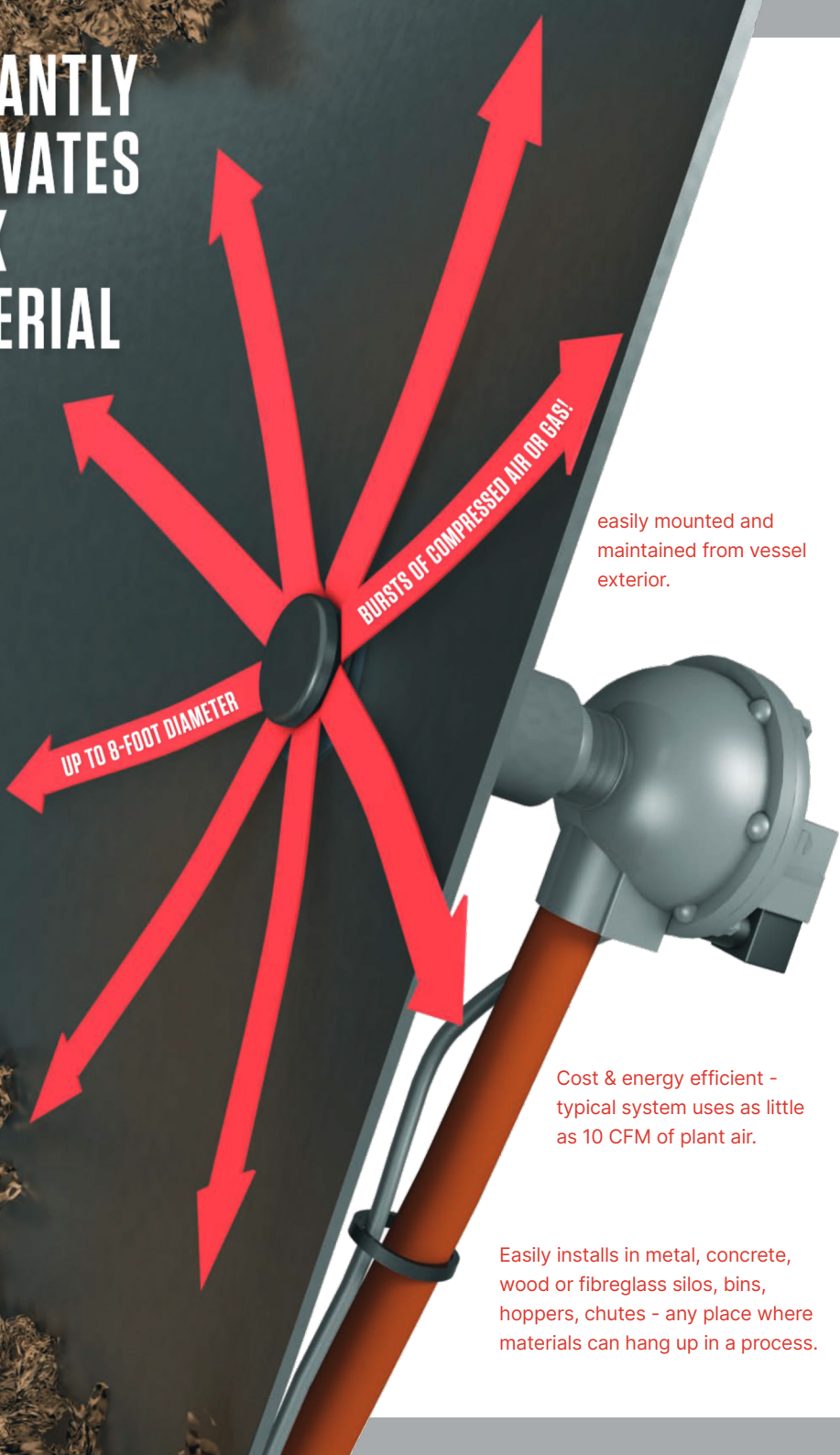
Eliminate and prevent
ratholes, bridging, and
sticky buildup

Ensure on-demand product
flow of the toughest powder
and bulk materials

THE PROOF IS IN THE FLOW!

www.oreflow.com.au

INSTANTLY ACTIVATES BULK MATERIAL



easily mounted and maintained from vessel exterior.

Cost & energy efficient - typical system uses as little as 10 CFM of plant air.

Easily installs in metal, concrete, wood or fibreglass silos, bins, hoppers, chutes - any place where materials can hang up in a process.

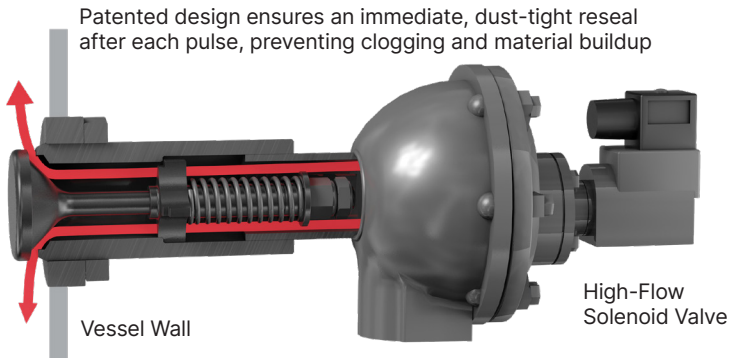
Prevent and eliminate hang-ups and blockages in your silos, bins, hoppers, and chutes with coordinated, 360-degree bursts of compressed air/gas. Each pulse activates up to a 2.4m diameter of material without vibration or stress to the vessel.

Activate bulk material with a first-in, first-out controlled flow with sequenced pulsing of strategically-positioned AirSweeps.

Installed and maintained from outside the bin, each AirSweep can easily be retrofitted for any application - even in temperatures up to 482° C.



Virtually maintenance-free performance. The patented valve design utilizes only one moving part, ensuring an immediate reseal after each pulse, to prevent material feedback.



Models and mounting available in many sizes and materials of construction to fit any application

Models:

VA-06 (3/4") - For small vessels and chutes

VA-12 (1-1/2") - For medium-sized vessels and chutes

VA-51 (2") - For large vessels and chutes

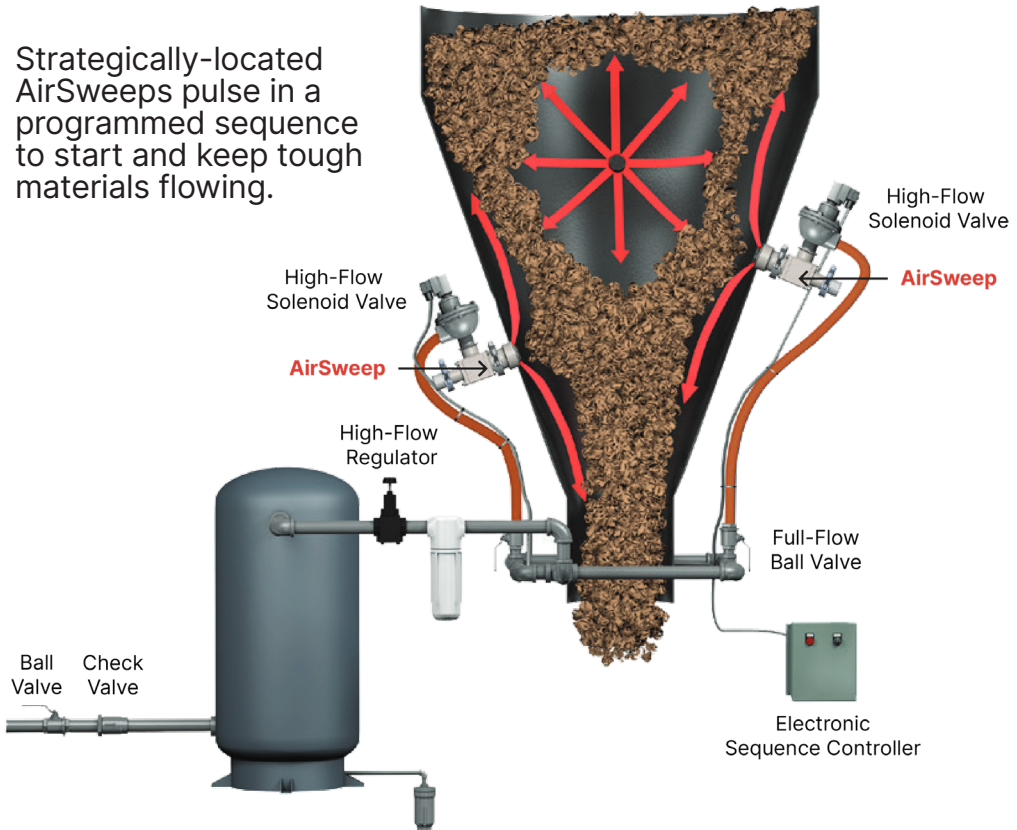
Straight Shooter - For applications requiring a focused column of air

Tri-Clamp - For applications requiring easy installation and removal

USDA-Accepted - For sanitary processing applications

Typical AirSweep® System

Strategically-located AirSweeps pulse in a programmed sequence to start and keep tough materials flowing.



Standard Materials of Construction Include:

- Carbon Steel
- 304 Stainless Steel
- 316 Stainless Steel
- Other materials available upon request

Your AirSweep® Source

OREFLOW

A U S T R A L I A P T Y L T D



When other solutions fall short, AirSweep delivers.
Contact us today for the proven solution!



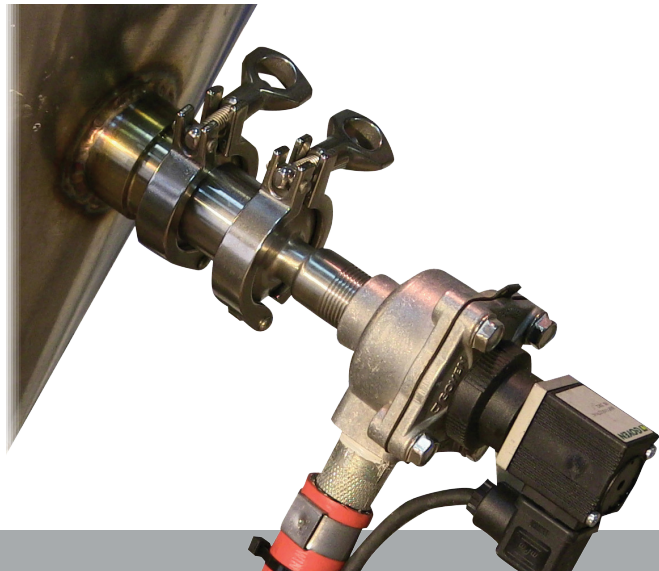
SEE IT IN ACTION!

Scan the QR code or visit AirSweep.com to
watch demonstration videos now

✉ sales@oreflow.com.au

☎ +61 8 9472 0800

🌐 www.oreflow.com.au





Email: sales@oreflow.com.au

Phone: +61 8 9472 0800

Website: www.oreflow.com.au

Main Office & Warehouse:

99 Kew Street
Welshpool, WA 6106
Australia